

GEMÜ B46

Pneumatically operated compact flanged ball valve



Features

- High flow rate
- Full-flow bore
- Adjustable travel stops
- Antistatic device

Description

The GEMÜ B46 2/2-way metal ball valve is pneumatically operated. The seat seal is made of PTFE.

Technical specifications

- **Media temperature:** -4 to 356 °F
- **Ambient temperature:** -4 to 140 °F
- **Operating pressure:** 0 to 580 psi
- **Nominal sizes:** 1/2" (DN 15) to 4" (DN 100)
- **Body configurations:** 2/2-way body
- **Ball configurations:** Control ball
- **Connection standards:** ANSI | EN
- **Body materials:** 1.4408, investment casting material
- **Seal materials:** PTFE
- **Conformities:** ATEX | EAC | FDA | Reg. (EU) No. 10/2011 | Regulation (EC) No. 1935/2004 | Regulation (EC) No. 2023/2006 | TA Luft (German Clean Air Act)

Technical data depends on the respective configuration



further information
webcode: GW-B46



Product line



GEMÜ BB06



GEMÜ B26



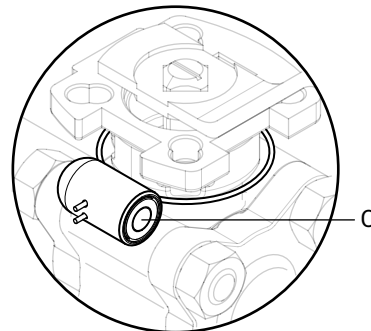
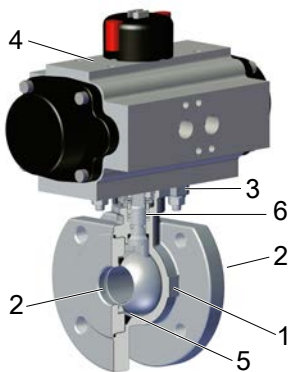
GEMÜ B46



GEMÜ B56

Operation				
With bare shaft	●	-	-	-
Manual	-	●	-	-
pneumatic	-	-	●	-
Motorized	-	-	-	●
Nominal sizes	1/2" (DN 15) to 4" (DN 100)	1/2" (DN 15) to 4" (DN 100)	1/2" (DN 15) to 4" (DN 100)	1/2" (DN 15) to 4" (DN 100)
Media temperature	-4 to 356 °F	-4 to 356 °F	-4 to 356 °F	-4 to 356 °F
Operating pressure	0 to 580 psi	0 to 580 psi	0 to 580 psi	0 to 580 psi
Connection types				
Flange	●	●	●	●

Product description

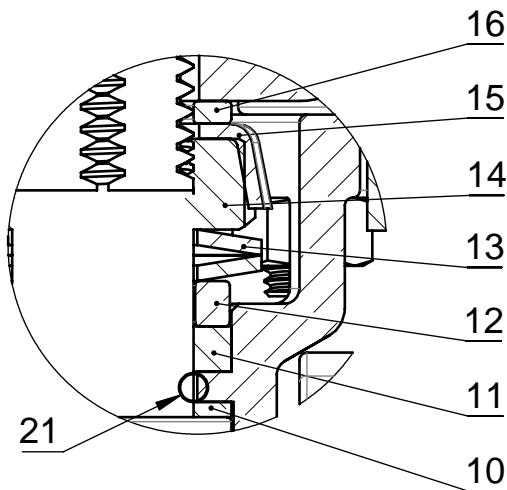


Item	Name	Materials
1	Ball valve body	1.4408 / CF8M
2	Pipe connections	1.4408 / CF8M
3	Mounting flange ISO 5211	1.4408 / CF8M
4	Pneumatic actuator	Aluminium
5	Seal	PTFE
6	Antistatic unit	1.4408
C	CONEXO RFID chip (see "GEMÜ CONEXO", page 19)	

Pressure-relief
hole



The spindle seal system



Item	Name	Material
10	Seal	PTFE
11	V-ring	PTFE
12	Stainless steel sleeve	SS304-1.4301
13	Spring washer	SS304-1.4301
14	Spindle nut	A2 70
15	Cap	SS304-1.4301
16	Washer	SS304-1.4301
21	O-ring (spindle seal)	Viton

Long service life due to triple spindle seal

- Conical spindle seal:

The seal **10** arranged at an angle of 45° effectively prevents the leakage of media when operating the spindle

- O-ring:

Stabilising spindle seal **21** with low wear and long service life

- Pretensioned self-adjusting spindle seal:

The spindle packing consists of several V-rings **11**, a spring washer **13** and a stainless steel sleeve **12**. The spring washer **13** is pretensioned via the spindle nut **14**. The pretension force is distributed to the V-rings **11** via the stainless steel sleeve **12**, thereby preventing the leakage of media. The pretension provides low maintenance and reliable spindle sealing even after a long service life.

Actuator assignment

GEMÜ type GDR/GSR

DN	Double acting	Code	Single acting	Code
15	GDR0050 F03/05 S11	HR05AW	GSR0065 SC5F04 S11A	GR06SO
20	GDR0050 F03/05 S11	HR05AW	GSR0065 SC5F04 S11A	GR06SO
25	GDR0050 F03/05 S11	HR05AW	GSR0075 SC5F05/07 S17	GR07SP
32	GDR0050 F03/05 S11	HR05AW	GSR0075 SC5F05/07 S17	GR07SP
40	GDR0065 F05/07 S14	HR06AP	GSR0085 SC5F05/07 S14	GR08SP
50	GDR0085 F05/07 S17	HR08AC	GSR0085 SC5F05/07 S14	GR11SE
65	GDR0085 F05/07 S17	HR08AC	GSR0125 SC5F07/10 S17	GR12SE
80	GDR0115 F07/10 S17	HR11AE	GSR0140 SC5F10/12 S22	GR14SA
100	GDR0115 F07/10 S17	HR11AE	GSR0180 S14F10/14 S27	GR18KB

GEMÜ type ADA/ASR

DN	Double acting	Code	Single acting	Code
15	ADA0020U F04 S14S11	BU02AA	ASR0020US08F04 S14S11	AU02FA
20	ADA0020U F04 S14S11	BU02AA	ASR0020US08F04 S14S11	AU02FA
25	ADA0020U F04 S14S11	BU02AA	ASR0040US14F05 S14S11	AU04KB
32	ADA0020U F04 S14S11	BU02AA	ASR0080US14F05/07S17S14	AU08KC
40	ADA0040U F05 S14S11	BU04AB	ASR0080US14F05/07S17S14	AU08KC
50	ADA0080U F05/07S17S14	BU08AC	ASR0200US14F07/10S17S14	AU20KE
65	ADA0080U F05/07S17S14	BU08AC	ASR0200US14F07/10S17S14	AU20KE
80	ADA0080U F05/07S17S14	BU08AC	ASR0200US14F07/10S17S14	AU20KE
100	ADA0200U F07/10S17S14	BU20AE	ASR0500US14F07/10 S22	AU50KD

GEMÜ type DR/SC

DN	Double acting	Code	Single acting	Code
15	DR0015U F04 S11	DU01AO	SC0030U 6F04 S11	SU03KO
20	DR0015U F04 S11	DU01AO	SC0030U 6F04 S11	SU03KO
25	DR0015U F04 S11	DU01AO	SC0060U 6F05/07 S14	SU06KP
32	DR0015U F04 S11	DU01AO	SC0060U 6F05/07 S14	SU06KP
40	DR0030U F05/07 S14	DU03AP	SC0100U 6F05/07S17D11	SU10KC
50	DR0060U F05/07 S17	DU06AC	SC0150U 6F05/07 S17	SU15KC
65	DR0060U F05/07 S17	DU06AC	SC0220U 6F07/10 S22	SU22KD
80	DR0150U F07/10 S22	DU15AD	SC0300U 6F07/10 S22	SU30KD
100	DR0220U F07/10 S22	DU22AD	SC0450U 6F10/12 S27	SU45KG

Application

- Heating systems
- Beverage industry
- Foodstuff industry
- Chemical industry
- Drinking water installations
- Processing industry
- HVAC

Order data

The order data provide an overview of standard configurations.

Please check the availability before ordering. Other configurations available on request.

Products ordered with **bold marked ordering options** are so-called preferred series. Depending on the nominal size, these are available more quickly.

Order codes

1 Type	Code
Ball valve, metal, pneumatically operated, one-piece body, compact flange, aluminium double piston actuator, low-maintenance spindle seal and blow-out proof shaft, with anti-static unit	B46

2 DN	Code
DN 15	15
DN 20	20
DN 25	25
DN 32	32
DN 40	40
DN 50	50
DN 65	65
DN 80	80
DN 100	100

3 Body/ball configuration	Code
2/2-way body	D
2/2-way body, V-ball 30° (for Kv value see datasheet)	U
2/2-way body, V-ball 60° (for Kv value see datasheet)	Y
2/2-way body, V-ball 90° (for Kv value see datasheet)	W

4 Connection type	Code
Flange ANSI Class 125/150 RF, face-to-face dimension FTF EN 558 series 1, ISO 5752, basic series 1, length only for body configuration D	39
Flange EN 1092, PN16/PN40, form B DN15 to DN50, flange EN1092, PN 16, form B DN65 to DN100	68

5 Ball valve material	Code
1.4408 / CF8M (body, connection), 1.4401 / SS316 (ball, shaft)	37

6 Seal material	Code
PTFE	5

7 Control function	Code
Normally closed (NC)	1
Normally open (NO)	2
Double acting (DA)	3

8 Actuator version	Code
Actuator GEMÜ GDR	
Actuator, pneumatic, double acting, clockwise rotation, GDR0050 F03/05 S11	HR05AW
Actuator, pneumatic, double acting, clockwise rotation, GDR0065 F05/07 S14	HR06AP
Actuator, pneumatic, double acting, clockwise rotation, GDR0085 F05/07 S17	HR08AC
Actuator, pneumatic, double acting, clockwise rotation, GDR0115 F07/10 S17	HR11AE
Actuator GEMÜ GSR	
Actuator, pneumatic, single acting, clockwise rotation, spring closing, GSR0065 SC5F04 S11	GR06SO
Actuator, pneumatic, single acting, clockwise rotation, spring closing, GSR0075 SC5F05/07 S17	GR07SC
Actuator, pneumatic, single acting, clockwise rotation, spring closing, GSR0085 SC5F05/07 S14	GR08SP
Actuator, pneumatic, single acting, clockwise rotation, spring closing, GSR0115 SC5F07/10 S17	GR11SE
Actuator, pneumatic, single acting, clockwise rotation, spring closing, GSR0125 SC5F07/10 S17	GR12SE
Actuator, pneumatic, single acting, clockwise rotation, spring closing, GSR0140 SC5F10/12 S22	GR14SA
Actuator, pneumatic, single acting, clockwise rotation, spring closing, GSR0180 S14F10/14 S27	GR18KB
Actuator GEMÜ ADA	
Actuator, pneumatic, double acting, clockwise rotation, ADA0020U F04 S14S11	BU02AA
Actuator, pneumatic, double acting, clockwise rotation, ADA0040U F05 S14S11	BU04AB
Actuator, pneumatic, double acting, clockwise rotation, ADA0080U F05/07S17S14	BU08AC
Actuator, pneumatic, double acting, clockwise rotation, ADA0200U F07/10S17S14	BU20AE
Actuator GEMÜ ASR	
Actuator, pneumatic, single acting, clockwise rotation, spring closing, ASR0020US08F04 S14S11	AU02FA
Actuator, pneumatic, single acting, clockwise rotation, spring closing, ASR0040US14F05 S14S11	AU04KB

8 Actuator version	Code
Actuator, pneumatic, single acting, clockwise rotation, spring closing, ASR0080US14F05/07S17S14	AU08KC
Actuator, pneumatic, single acting, clockwise rotation, spring closing, ASR0200US14F07/10S17S14	AU20KE
Actuator, pneumatic, single acting, clockwise rotation, spring closing, ASR0500US14F07/10 S22	AU50KD
Actuator GEMÜ DR	
Actuator, pneumatic, double acting, clockwise rotation, DR0015U F04 S11	DU01AO
Actuator, pneumatic, double acting, clockwise rotation, DR0030U F05/07 S14	DU03AP
Actuator, pneumatic, double acting, clockwise rotation, DR0060U F05/07 S17	DU06AC
Actuator, pneumatic, double acting, clockwise rotation, DR0150U F07/10 S22	DU15AD
Actuator, pneumatic, double acting, clockwise rotation, DR0220U F07/10 S22	DU22AD
Actuator GEMÜ SC	
Actuator, pneumatic, single acting, clockwise rotation, spring closing, SC0030U 6F04 S11	SU03KO
Actuator, pneumatic, single acting, clockwise rotation, spring closing, SC0060U 6F05/07 S14	SU06KP
Actuator, pneumatic, single acting, clockwise rotation, spring closing, SC0100U 6F05/07S17D11	SU10KC

8 Actuator version	Code
Actuator, pneumatic, single acting, clockwise rotation, spring closing, SC0150U 6F05/07 S17	SU15KC
Actuator, pneumatic, single acting, clockwise rotation, spring closing, SC0220U 6F07/10 S22	SU22KD
Actuator, pneumatic, single acting, clockwise rotation, spring closing, SC0300U 6F07/10 S22	SU30KD
Actuator, pneumatic, single acting, clockwise rotation, spring closing, SC0450U 6F10/12 S27	SU45KG

9 Actuator particulars	Code
Gen. industrial version, body alu, anodising layer 25-35µm, end caps alu, powder coated, shaft C steel + ENP, bolts A2	0

10 Type of design	Code
Standard	
Thermal separation between actuator and valve body via mounting kit	5222
Thermal separation between actuator and valve body via mounting kit, mounting kit and mounting parts in stainless steel	5227

11 CONEXO	Code
Without	
Integrated RFID chip for electronic identification and traceability	C

Order example

Order option	Code	Description
1 Type	B46	Ball valve, metal, pneumatically operated, one-piece body, compact flange, aluminium double piston actuator, low-maintenance spindle seal and blow-out proof shaft, with anti-static unit
2 DN	25	DN 25
3 Body/ball configuration	D	2/2-way body
4 Connection type	39	Flange ANSI Class 125/150 RF, face-to-face dimension FTF EN 558 series 1, ISO 5752, basic series 1, length only for body configuration D
5 Ball valve material	37	1.4408 / CF8M (body, connection), 1.4401 / SS316 (ball, shaft)
6 Seal material	5	PTFE
7 Control function	1	Normally closed (NC)
8 Actuator version	HR05AW	Actuator, pneumatic, double acting, clockwise rotation, GDR0050 F03/05 S11
9 Actuator particulars	0	Gen. industrial version, body alu, anodising layer 25-35µm, end caps alu, powder coated, shaft C steel + ENP, bolts A2
10 Type of design		Standard
11 CONEXO		Without Integrated RFID chip for electronic identification and traceability

Technical data

Medium

Working medium: Corrosive, inert, gaseous and liquid media and steam which have no negative impact on the physical and chemical properties of the body and seal material.

Temperature

Media temperature: -4 – 356 °F
For media temperatures > 212 °F, we recommend using a mounting kit with adapter between the ball valve and the actuator.

Ambient temperature: -4 – 140 °F
Higher temperatures on request

Storage temperature: -76 – 140 °F

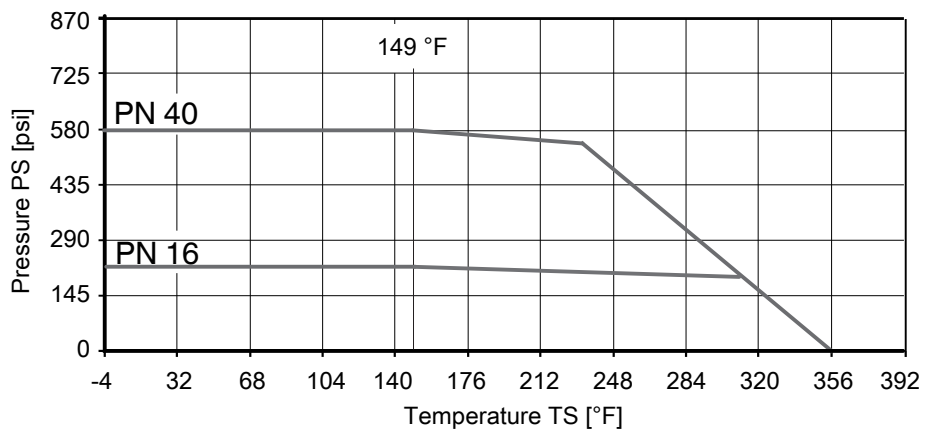
Pressure

Operating pressure: 0 – 580 psi

Vacuum: Can be used up to a vacuum of 1.5 inhg (absolute)
These values apply to room temperature and air. The values may deviate for other media and other temperatures.

Leakage rate: Leakage rate according to ANSI FCI70 – B16.104

Pressure/temperature diagram:



Pressure/temperature data according to the diagram refer to static operating conditions. Strongly fluctuating parameters or parameters that change quickly over time can lead to a reduction in service life. Special applications are to be discussed with your technical contact in advance.

Pressure rating: DN 15 – 50: PN40
DN 65 – 100: PN16

Cv-values:

DN	NPS	Kv values
15	1/2"	15.21
20	3/4"	39.78
25	1"	70.20
32	1¼"	109.98
40	1½"	249.21
50	2"	428.22
65	2½"	696.15
80	3"	1093.95
100	4"	1989.00

Cv values in gpm

V-ball 30° (code U)

DN	NPS	Opening angle										
		0	15%	20%	30%	40%	50%	60%	70%	80%	90%	100%
15	1/2"	0	0.100	0.100	0.200	0.300	0.500	0.800	1.090	1.590	2.190	2.590
20	3/4"	0	0.100	0.200	0.500	0.700	1.090	1.790	2.390	3.280	4.480	5.370
25	1"	0	0.100	0.300	0.800	1.290	2.290	3.480	5.070	6.970	9.510	9.950
32	1¼"	0	0.200	0.400	1.090	1.990	3.680	5.470	7.960	9.950	12.930	14.920
40	1½"	0	0.300	0.600	1.590	2.980	4.970	7.460	10.940	13.920	16.910	19.890
50	2"	0	0.400	1.190	3.780	5.970	9.950	14.920	22.870	30.830	42.760	59.670
65	2½"	0	0.400	0.990	3.980	7.960	11.930	17.900	27.850	36.800	61.660	74.590
80	3"	0	0.500	1.190	3.980	7.960	13.920	22.870	32.820	45.750	64.640	81.550
100	4"	0	0.600	1.990	5.970	14.920	28.840	47.740	70.610	99.450	129.290	158.180

Cv values in gpm

V-ball 60° (code Y)

DN	NPS	Opening angle										
		0	15%	20%	30%	40%	50%	60%	70%	80%	90%	100%
15	1/2"	0	0.100	0.100	0.300	0.500	0.900	1.390	1.990	3.280	4.380	5.970
20	3/4"	0	0.100	0.200	0.700	0.990	1.690	2.780	3.980	6.460	8.950	11.930
25	1"	0	0.200	0.400	1.090	1.790	3.380	5.270	7.860	12.240	15.220	20.880
32	1¼"	0	0.200	0.600	1.790	2.980	5.470	9.450	12.730	18.900	25.860	38.790
40	1½"	0	0.400	0.800	2.490	3.980	7.960	12.930	18.900	26.850	39.780	51.710
50	2"	0	0.400	1.490	4.570	8.950	16.420	26.850	38.790	54.700	82.540	109.400
65	2½"	0	0.400	1.490	4.970	9.950	20.880	33.810	52.710	74.590	102.430	149.180
80	3"	0	0.500	2.490	5.970	13.920	24.860	39.780	64.640	90.500	127.300	164.150
100	4"	0	0.700	2.980	10.940	24.860	39.780	58.680	89.510	140.280	210.830	354.040

Cv values in gpm

Cv-values:

V-ball 90° (code W)

DN	NPS	Opening angle										
		0	15%	20%	30%	40%	50%	60%	70%	80%	90%	100%
15	1/2"	0	0.100	0.200	0.400	0.600	0.900	1.490	2.190	3.780	5.370	6.860
20	3/4"	0	0.200	0.400	0.800	1.190	1.990	3.080	4.570	7.960	11.240	13.920
25	1"	0	0.200	0.600	1.790	3.380	5.070	8.060	11.340	15.910	20.880	28.840
32	1¼"	0	0.300	0.800	1.990	4.970	7.960	13.920	18.900	27.850	38.790	54.700
40	1½"	0	0.500	0.900	3.480	6.960	12.930	19.890	30.830	41.770	62.650	77.570
50	2"	0	0.700	1.990	5.970	11.930	21.880	34.810	44.750	69.620	104.420	134.320
65	2½"	0	0.500	1.690	6.960	13.920	27.850	47.740	69.610	105.420	159.120	216.800
80	3"	0	0.700	3.480	7.960	17.900	34.810	59.670	89.500	134.320	203.930	308.300
100	4"	0	0.990	3.480	15.910	39.780	74.590	124.370	188.960	293.440	439.570	666.320

Cv values in gpm

Control pressure:

87 – 116 psi

Product conformities

Machinery Directive: 2006/42/EC

Food: FDA
Regulation (EC) No. 10/2011
Regulation (EC) No. 1935/2006

Pressure Equipment Directive: 2014/68/EU

Explosion protection: ATEX (2014/34/EU) and IECEx, order code Special version X

ATEX marking: The ATEX marking of the product depends on the respective product configuration with valve body and actuator. It can be found in the product-specific ATEX documentation and the ATEX type plate.

Mechanical data

Torques:

DN	NPS	Breakaway torque
15	1/2"	61.69
20	3/4"	70.81
25	1"	88.51
32	1¼"	123.91
40	1½"	256.67
50	2"	513.34
65	2½"	548.75
80	3"	1062.09
100	4"	1540.03

Torques in lbf in

Weight:

Ball valve

DN	NPS	Weight
15	1/2"	2.87
20	3/4"	4.41
25	1"	6.17
32	1¼"	9.26
40	1½"	11.68
50	2"	14.77
65	2½"	26.24
80	3"	32.85
100	4"	44.97

Weight in lb

Actuator type GDR/GSR

Type	GDR	GSR
0050	2.43	2.65
0065	3.31	3.97
0075	5.73	7.05
0085	7.50	9.48
0100	11.24	14.55
0115	17.64	23.37
0125	22.05	29.54
0140	24.25	37.92
0160	42.99	53.79
0180	57.32	82.67

Weight in lb

Actuator type ADA/ASR

Type	ADA Double act- ing	ASR Single acting
0020U	3.09	3.31
0040U	4.63	5.07
0080U	6.61	8.16
0130U	8.38	10.58
0200U	12.35	16.09
0300U	18.74	23.81
0500U	24.69	33.95

Weight in lb

Weight:

Actuator type DR/SC

Type	DR Double act- ing	SC Single acting
0015U	2.20	2.43
0030U	3.53	3.75
0060U	5.95	6.83
0100U	8.16	9.48
0150U	11.46	13.45
0220U	17.64	20.50
0300U	21.61	26.46
0450U	30.86	37.48

Weight in lb

90° travel:

GEMÜ GDR/GSR: ±5° adjustable (85° - 95°)

GEMÜ ADA /ASR: ±5° adjustable (85° - 95°)

GEMÜ DR /SC: 20° adjustable (75° - 95°)

Dimensions

Actuator dimensions

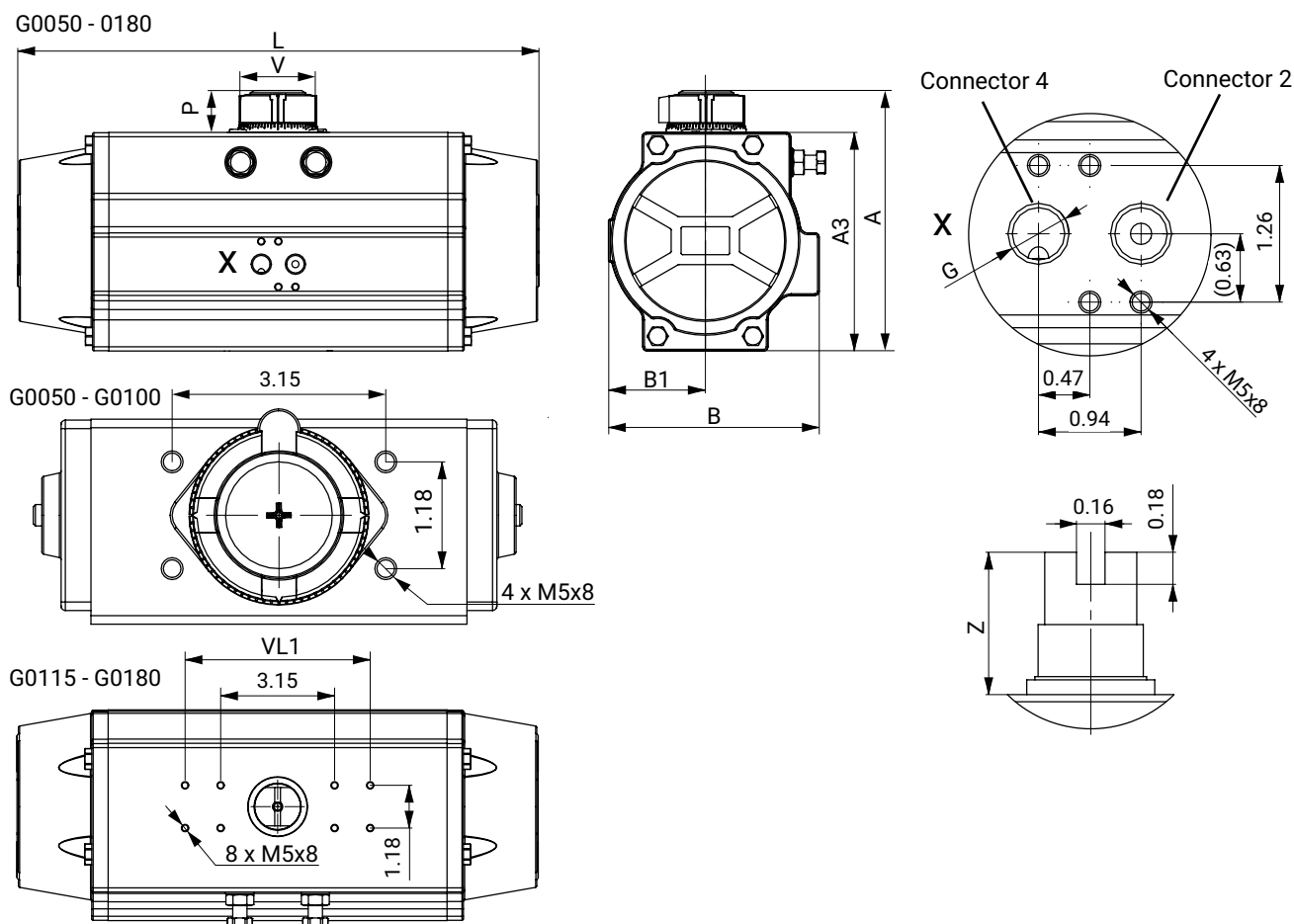
Note on actuator mounting:

Standard mounting orientation – actuator positioned in-line with piping

Only with flanged connections the actuator is mounted across the piping

Actuator type GDR/GSR

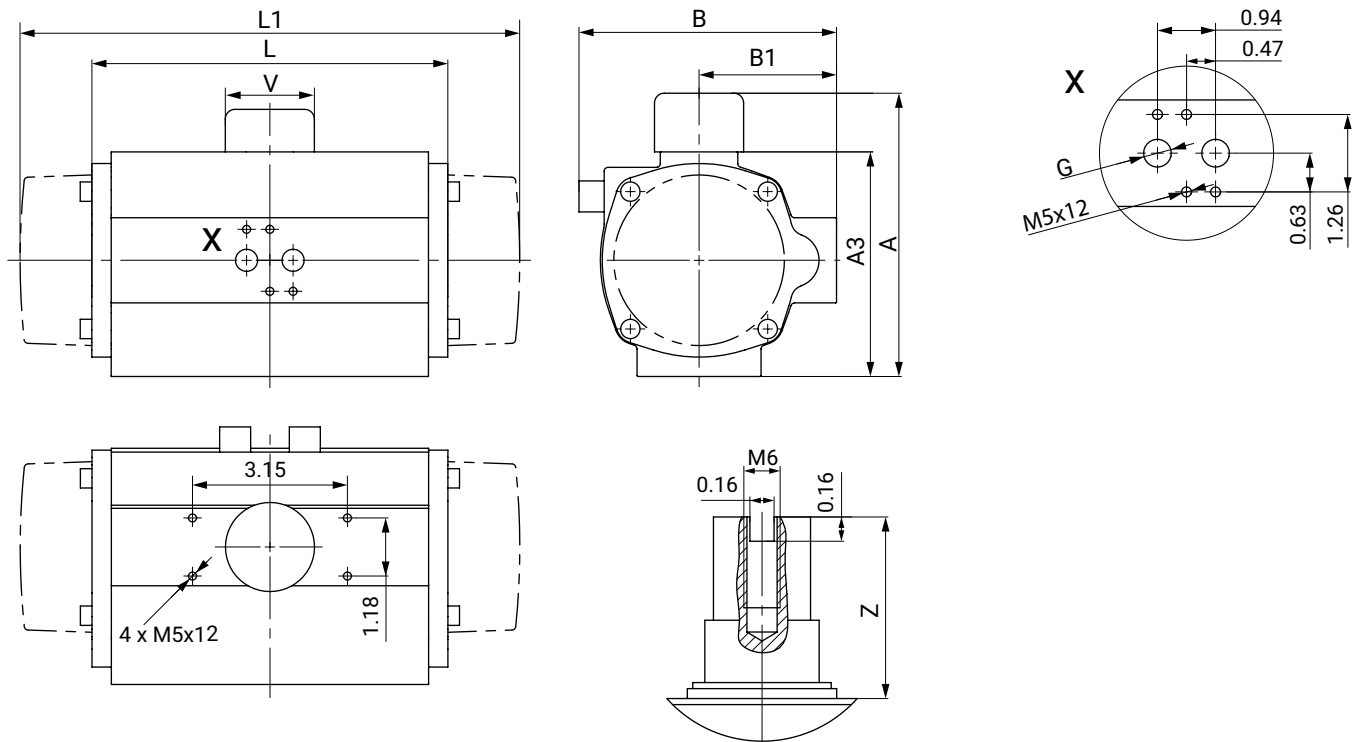
Type G0050 – G0180



Type	A	A3	B	B1	V	G	P	VL	Z	L	VL1
G0050	3.62	2.76	2.80	1.18	1.57	G1/8"	0.87	3.15	0.79	5.55	-
G0065	4.04	3.17	3.17	1.40	1.57	G1/8"	0.87	3.15	0.79	6.38	-
G0075	4.69	3.82	3.72	1.65	1.57	G1/8"	0.87	3.15	0.79	8.19	-
G0085	5.14	4.27	4.17	1.87	1.57	G1/8"	0.87	3.15	0.79	9.33	-
G0100	5.65	4.78	4.84	2.17	1.57	G1/4"	0.87	3.15	0.79	10.69	-
G0115	6.85	5.59	5.39	2.52	2.56	G1/4"	1.26	3.15	1.18	13.27	5.12
G0125	7.30	6.04	5.83	2.68	2.56	G1/4"	1.26	3.15	1.18	14.41	5.12
G0140	8.19	6.93	6.46	3.01	2.56	G1/4"	1.26	3.15	1.18	16.87	5.12
G0160	8.86	7.60	7.40	3.46	2.56	G1/4"	1.26	3.15	1.18	20.16	5.12
G0180	9.88	8.62	8.37	3.80	2.56	G1/4"	1.26	3.15	1.18	22.56	5.12

Dimensions in inch

Actuator type ADA/ASR

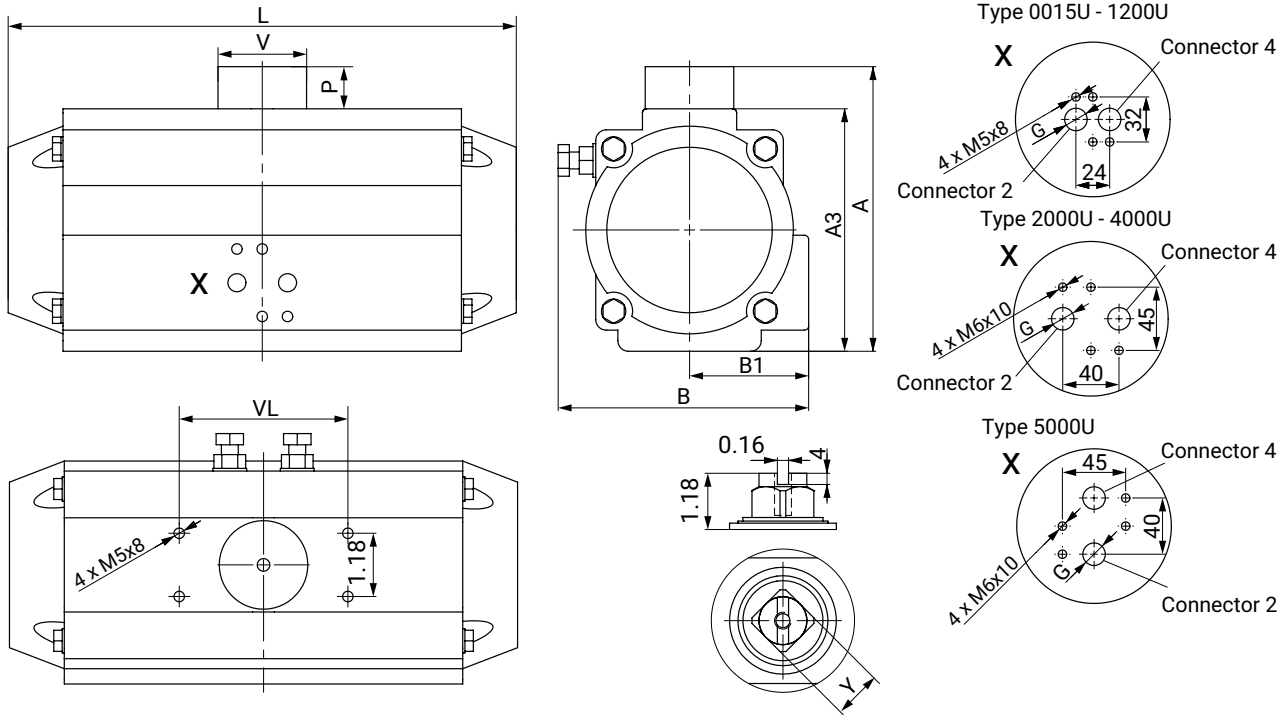


Type	A	A3	B	B1	G	L	L1	V	Z
0020U	3.78	2.60	2.99	1.89	G1/4"	5.71	6.42	1.57	1.18
0040U	4.53	3.35	3.58	2.20	G1/4"	6.22	7.68	1.57	1.18
0080U	5.39	4.21	4.37	2.60	G1/4"	6.97	8.54	1.57	1.18
0130U	5.79	4.61	4.80	2.80	G1/4"	7.72	10.16	1.57	1.18
0200U	6.50	5.31	5.33	3.07	G1/4"	8.86	11.77	1.57	1.18
0300U	7.17	5.98	6.00	3.39	G1/4"	10.75	13.72	1.57	1.18
0500U	7.83	6.65	6.81	3.78	G1/4"	11.97	15.63	1.57	1.18

Dimensions in inch

Actuator type DR/SC

Actuator dimensions

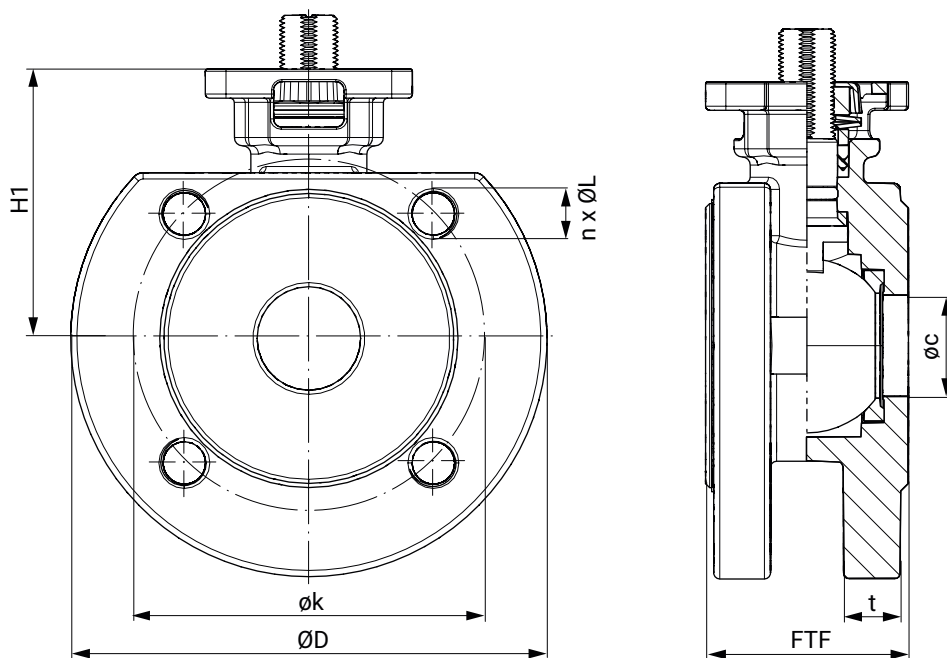


Type	A	A3	B	B1	V	VL	G	P	L	Y
0015U	3.50	2.72	2.83	1.69	1.65	3.15	G1/8"	0.79	5.35	0.43
0030U	4.13	3.35	3.33	1.91	1.65	3.15	G1/8"	0.79	6.04	0.43
0060U	4.80	4.02	3.66	1.99	1.65	3.15	G1/8"	0.79	8.01	0.67
0100U	5.31	4.53	4.17	2.22	1.65	3.15	G1/8"	0.79	9.49	0.67
0150U	5.79	5.00	4.67	2.48	1.65	3.15	G1/4"	0.79	10.20	0.67
0220U	6.89	5.71	5.35	2.83	2.28	3.15	G1/4"	1.18	11.97	1.06
0300U	7.36	6.18	5.77	3.03	2.28	3.15	G1/4"	1.18	13.11	1.06
0450U	8.15	6.97	6.54	3.39	2.66	3.15	G1/4"	1.18	15.53	1.06

Dimensions in inch

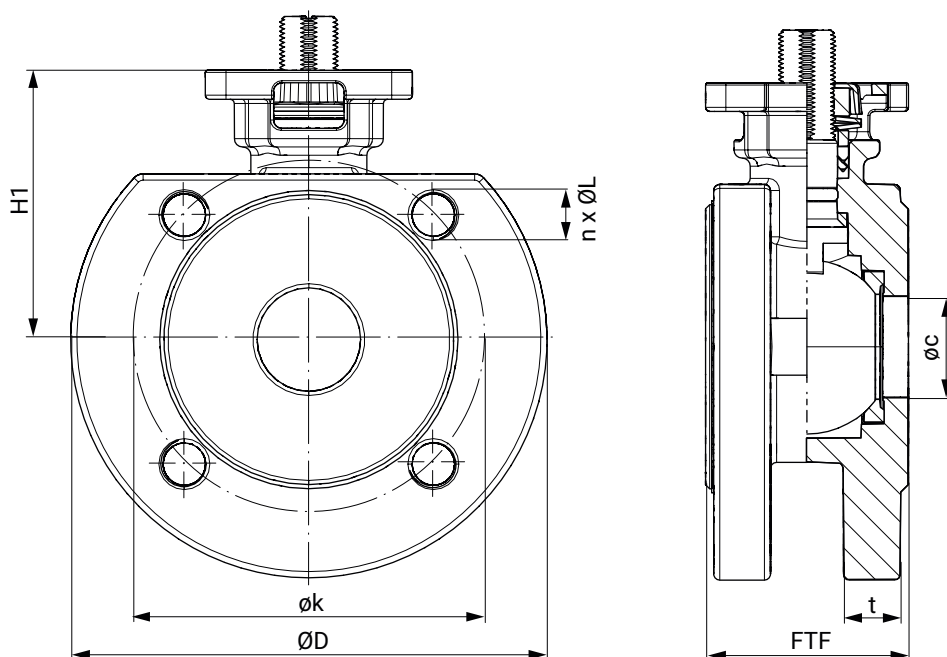
Body dimensions

Flange (connection code 39)



DN	øc	ØD	øk	t	FTF	H1	n x ØL
15	0.59	3.50	2.38	0.36	1.50	1.91	4x1/2-13UNC
20	0.79	3.90	2.75	0.43	1.57	2.13	4x1/2-13UNC
25	0.98	4.25	3.12	0.53	1.81	2.56	4x1/2-13UNC
32	1.26	4.61	3.50	0.55	2.20	3.07	4x1/2-13UNC
40	1.50	5.00	3.88	0.61	2.56	3.35	4x1/2-13UNC
50	1.97	5.98	4.75	0.67	3.07	3.66	4x5/8-11UNC
65	2.56	7.01	5.50	0.81	3.90	4.21	4x5/8-11UNC
80	2.99	7.48	6.00	0.87	4.57	4.69	4x5/8-11UNC
100	3.94	9.02	7.50	0.87	5.87	5.20	8x5/8-11UNC

Dimensions in inch

Flange (connection code 68)

DN	øc	ØD	øk	t	FTF	H1	n x ØL
15	0.59	3.23	2.56	0.55	1.65	1.91	4 x M12
20	0.79	3.86	2.95	0.55	1.73	2.13	4 x M12
25	0.98	4.53	3.35	0.55	1.97	2.56	4 x M12
32	1.26	5.51	3.94	0.63	2.36	3.07	4 x M16
40	1.50	5.91	4.33	0.59	2.72	3.35	4 x M16
50	1.97	6.50	4.92	0.61	3.23	3.66	4 x M16
65	2.56	7.28	5.71	0.61	4.06	4.21	4 x M16
80	2.99	7.87	6.30	0.67	4.69	4.69	8 x M16
100	3.94	8.66	7.09	0.67	5.91	5.20	8 x M16

Dimensions in inch

Add-on components**GEMÜ LSF****Inductive dual sensor for quarter turn valves**

The GEMÜ LSF inductive dual sensor is suitable for mounting to manually and pneumatically operated quarter turn valves. It is also fitted with an optical position indicator for visual confirmation of position.

**GEMÜ LSC****Limit switch box for quarter turn actuators**

The GEMÜ LSC limit switch box is suitable for mounting to manually and pneumatically operated quarter turn valves. It is also fitted with an optical position indicator for visual confirmation of position.

Accessories

GEMÜ ADH

Mounting sleeve

The mounting sleeve accessories are available in the square and star geometry designs. These are used for the shaft and hub support for quarter turn actuators. Both sleeves have an internal square drive (please observe stated measurement dimensions here). The sleeve material is sintered metal and they are chemically nickel plated with a surface of 25 µm.



GEMÜ 2022

Throttle valve

The GEMÜ 2022 throttle valves are available as throttle valve, throttle check valve and dual throttle check valve. In pneumatic actuators they are used to regulate the compressed air depending on the function for the supply or exhaust air and can be set independently of each other in the case of dual throttle check valves.



GEMÜ 8500

Electrically operated pilot solenoid valve

The GEMÜ 8500 servo assisted 3/2 or 5/2-way pilot solenoid valve is indirectly controlled. The body is made of aluminium. The plastic encapsulated coil is detachable. The piston valve has a soft elastomer seal.



GEMÜ 8500DRN

Throttle plate

Throttle plates can be used to continuously adjust the travel times of pneumatic quarter turn actuators in both the "OPEN" and "CLOSED" directions independently of one another. They are installed between the NAMUR valve and the quarter turn actuator.



GEMÜ 1751

Silencer

Damping of vent hole or suction noises and coarse filtering of the suction air for pneumatic applications

Certificates

Certificate	Standard	Item number
3.1 Material	EN 10204	88333336

GEMÜ CONEXO

The interaction of valve components that are equipped with RFID chips and an associated IT infrastructure actively increase process reliability.



Thanks to serialization, every valve and every relevant valve component such as the body, actuator or diaphragm, and even automation components, can be clearly traced and read using the CONEXO pen RFID reader. The CONEXO app, which can be installed on mobile devices, not only facilitates and improves the "installation qualification" process, but also makes the maintenance process much more transparent and easier to document. The app actively guides the maintenance technician through the maintenance schedule and directly provides him with all the information assigned to the valve, such as test reports, testing documentation and maintenance histories. The CONEXO portal acts as a central element, helping to collect, manage and process all data.

For further information on GEMÜ CONEXO please visit:

www.gemu-group.com/conexo

Ordering

GEMÜ Conexo must be ordered separately with the ordering option "CONEXO".



GEMÜ Gebr. Müller Apparatebau GmbH & Co. KG
Fritz-Müller-Straße 6-8, 74653 Ingelfingen-Criesbach, Germany
Tel. +49 (0)7940 123-0 · info@gemue.de
www.gemu-group.com